



Construction3000

- Diamond core drills
- Plasterboard lifters
- Floor/Wall saws

Catalog



Deschard International Limited
Registration number: 611801

Unit 3D
North Point House
North Point Business Park
Cork, Ireland

Phone international : +353 – 768888455
France : +33 – (0) 7 62 53 21 31
www.construction3000.com

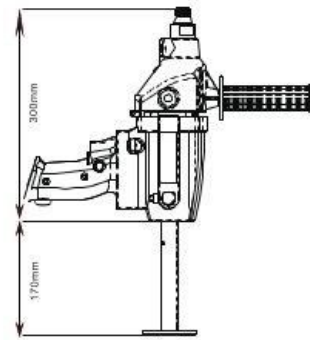
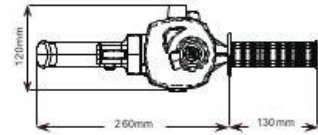


Products

	<i>Model</i>	<i>Page</i>	<i>Link</i>
<i>Handheld diamond core drill</i>	DF320	2	https://www.construction3000.com/product/diamond-core-drill-df320/
<i>Handheld diamond core drill + Drill stand DR120</i>	DF330	3	https://www.construction3000.com/product/diamond-core-drill-df330/
<i>Diamond core drill</i>	DF1000	4	https://www.construction3000.com/product/diamond-core-drill-df1000/
<i>Diamond core drill</i>	DF1200	4	https://www.construction3000.com/product/diamond-core-drill-df1200/
<i>Diamond core drill</i>	DF1600	4	https://www.construction3000.com/product/diamond-core-drill-df1600/
<i>Electric plasterboard lifter</i>	DW340	5	https://www.construction3000.com/product/portable-drywall-lifter-dw340/
<i>Electric plasterboard lifter</i>	DW520	5	https://www.construction3000.com/product/portable-drywall-lifter-dw520/
<i>Manual plasterboard lifter</i>	DW380	6	https://www.construction3000.com/product/portable-drywall-lifter-dw380/
<i>Floor saw</i>	FS550	7	http://www.construction3000.com/product/floor-saw-fs550/
<i>Wall saw</i>	CF30	8	http://www.construction3000.com/product/wall-cutter-cf30/
<i>Wall saw</i>	CF40	8	http://www.construction3000.com/product/wall-cutter-cf40/



Diamond Core Drill DF320



The DF320 core drill is a hand-held core drill ideal for drilling core sizes up to 76mm. The DF320 comes with a powerful 1.35kW motor and many built-in safety and motor/gearbox protection features. The unit has been ergonomically designed for safe and comfortable operation.

Ideal for fencing, cabling and domestic air conditioning trade work.

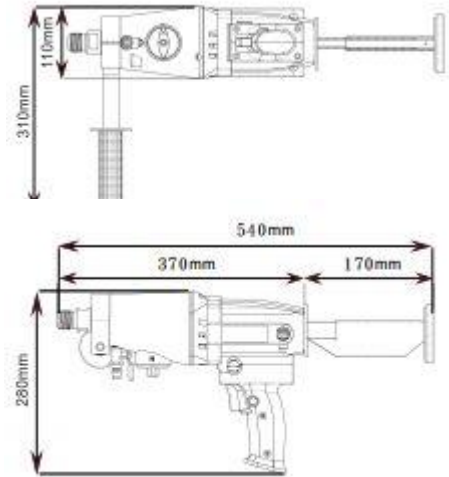
- ▶ Patented compact telescope stick that makes drilling safer and more comfortable.
- ▶ Powerful motor, 1350W with double insulation design.
- ▶ Motor overload circuit protector.
- ▶ Slip-Clutch system: Built in adjustable clutch system to protect the mechanism when the core bits jam.
- ▶ Variable speed-trigger, can operate with soft start.
- ▶ Compact design, weighs only 4 kg.
- ▶ Comes with case and tools.

Technical Specifications

Voltage	230V - 50Hz
Current	6.2A
Demand	1350W
Rotation speed	Variable
Dry drilling range Water drilling range	Ø 25 to 76 mm Ø 25 to 130 mm
Machine weight	4kg
Gross weight	9kg
Toolbox dimension	720*390*200mm
Fitting	1/2 " Fem
Electric cable, length	4.8 meters



Diamond Core Drill DF330



The DF330 is ideal for works such as Air Conditioning, Fencing, Building and general construction, Cabling.

The efficiency and attention to details in the design of the motor and gear box, means the DF330 does not require a 3 speed gear box - unlike less sophisticated brands. Powerful motor, 1350W with double insulation design.

- ▶ Included: Drill stand DR 120
- ▶ Patented telescopic support arm that makes drilling safer and more comfortable
- ▶ Variable speed control switch, can operate with soft start.
- ▶ Motor overload circuit protector with external control.
- ▶ Built in adjustable clutch system to protect the mechanism when the core bits get stuck.
- ▶ Very solid with its aluminium crankcase.
- ▶ Compact design, light weight.
- ▶ Comes with case and tools.

Technical Specifications

Voltage	230V - 50Hz
Current	6.2A
Demand	1350W
Rotation speed	1st speed: 0 to 1100 t/min 2nd speed: 0 to 2200 t/min
Drilling range	Ø 20 to 130 mm
Machine weight	4.5kg
Toolbox dimension	720*390*200mm
Fitting	1/2 " Fem
Electric cable, length	4.8 meters

Drill stand DR 120

Range	520 mm
Dimension	360 x 176 x 760 mm
Weight	9 kg



Diamond Core Drills

DF1000 - DF1200 - DF1600



- ▶ Powerful motor, large gear case and gear system for professional drilling.
- ▶ Motor overload circuit protector.
- ▶ Patented LED electric current indicator: Operates with the yellow indicator light on in order to protect the motor and improve drilling efficiency.
- ▶ Clutch system: built in adjustable clutch system to protect the mechanism when the core bits get stuck. Adjust from outside gear case.
- ▶ Feeding handle insulation to prevent electric shock from drilling the electric cable or power source.
- ▶ Drilling angle can be adjust up to 45.
- ▶ Two-speed function.
- ▶ High-quality, robust aluminium construction.
- ▶ Compact design, easy to carry.

Technical Specifications

	DF1000	DF1200	DF1600
Drilling range	Ø 25 to 254 mm	Ø 25 to 305 mm	Ø 25 to 406 mm
Voltage	230V - 50Hz	230V - 50Hz	230V - 50Hz
Demand	2640-3520W	2640-3520W	2640-3520W
Idling	500/1000 rpm	360/630 rpm	270/460 rpm
Effective stroke	560 mm	620 mm	620 mm
Machine height Spidle	750 mm	960 mm	960 mm
Toolbox dimension	490 x 310 x 830 mm	530 x 310 x 980 mm	530 x 310 x 980 mm
Shaft	1 1/4 " UNC	1 1/4 " UNC	1 1/4 " UNC Male
Machine weight	22.5kg	30kg	31kg



Plasterboard / Drywall Lifter DW340 – DW520



The DW-340 and DW-520 are designed with an electric motor and can be very easily operated by one person. It is suitable for positioning drywall board, panel, insulation boards and similar sheets.

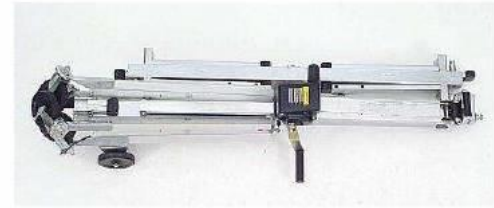
- ▶ Constructed with heat treated, robust aluminum - compact, safe and reliable.
- ▶ Telescoping mast.
- ▶ No tools required to setup the lift - simply unfold, setup and operated within 60 seconds, easily used by a single person.
- ▶ 4 legs to stabilise the lifter. Each leg has variable, independant adjustment for uneven ground - such as stairways.
- ▶ Controller with variable speed switch.
- ▶ Manual override: In case of power failure or sites with no power operate manually with supplied handle or cordless drill and 17mm socket.
- ▶ Highly portable, the compact design folds, making it easy for one person to carry the lifter to/from job.

Technical Specifications

Lifting height	345 cm	520 cm
Wallboard capacity	Up to 4"x16"(122cmx488cm)	Up to 4"x16"(122cmx488cm)
Load capacity	90 kg	68 kg
Basic height	102 cm	138 cm
Loading Height (Vertical)	0 cm	0 cm
Loading height (Horizontal)	57 cm	92 cm
Machine weight	26 kg	30 kg
Dimension	143x37x32 cm	143x37x32 cm
Gross weight	38 kg	41 kg



Portable drywall lifter DW380 - Manual



The Drywall Lifter DW 380 is designed to reduce labor costs and can be easily operated by one person. It is suitable for positioning drywall board, panel, insulation boards and similar sheets.

- ▶ Double safety system (automatic brake + masts brake).
- ▶ 4mm in diameter steel cable for lifting.
- ▶ Anti-reverse winch with automatic brake to prevent falling during operation.
- ▶ All telescoping mast action synchronous.
- ▶ Mounted on 5" caster wheels with brakes for easy movement.
- ▶ No tools required to set-up, only two steps then ready to work.
- ▶ The distance of two end arms up to 270 cm to take sheets up to 4 m.
- ▶ Cradle designed with 360° rotating head, and tilts up to 90°.
- ▶ Two 5" carry wheels to allow you to easily move to the next site or up and down stairs.

Technical Specifications

Voltage	230V - 50Hz
Current	6.2A
Demand	1350W
Rotation speed	Variable
Dry drilling range	Ø 25 to 76 mm
Machine weight	4kg
Gross weight	9kg
Toolbox dimension	720*390*200mm
Fitting	1/2 " Fem
Electric cable, length	4.8 meters



Floor saw FS550



For a precise cut with safety and comfort.

- ▶ Four wheels.
- ▶ Telescopic guidance system.
- ▶ Accurate watering of the disc.
- ▶ Emergency stop at your fingertips.
- ▶ Parking brake.
- ▶ Adjustable cutting depth.
- ▶ Quick-connect water container.
- ▶ Very powerful and reliable air cooled HONDA GX 390 engine.
- ▶ Driving of the blade with a V-belt.
- ▶ Removing of the blade guard in seconds.
- ▶ Adjustable handlebar height.
- ▶ Service tools included.

Technical Specifications

Maximum cutting depth	175 mm
Ø max. saw	500 mm
Ø blade holder	25.4 mm
Honda Engine - GX 390	Honda - 1 cylinder
Power (kW / hp)	9.5 kW/ 13 ch
Rotation speed	2300 t/min
Fuel	Petrol
Fuel tank	6,5 l
Dimensions	98 x 63 x 88 cm
Weight while running	138 kg
Curb weight	102 kg
Water tank capacity	30 l



Wall Saws CF30 – CF40



The wall saws CF 30 and CF 40 fit perfectly to the requirements of small single-phase sawing and are equipped with a removable motor of the black line that guarantees a long life span and long cycles, without maintenance.

The penetration is done manually using a crank located on the frame while the running is done automatically with the controller.

- ▶ Removable electric motor.
- ▶ 220 V single phase motor 50/60 Hz – 15 Amp.
- ▶ Automatic running control.
- ▶ Very short assembly time.
- ▶ Modular construction for fast maintenance.
- ▶ Very low weight components.

Technical Specifications

	CF30	CF40
Power	3300 W	3300 W
Voltage	220 V	220 V
Current	15 A	15 A
Idling Speed	202 / 350 rpm	130 / 298 rpm
Max. Blade dia.	750 mm	1000 mm
Max. Cutting	290 mm	400 mm
Water supply	Centralised	Centralised
Rails	2 x 1200 mm	2 x 1200 mm
Engine	16 kg	16 kg
Frame	23 kg	23 kg
Box	2.4 kg	2.4 kg

Purchase order



Diamond core drills – Plasterboard lifters- Floor saws

Date:

VENDOR

Deschard International Ltd
1 Ladies view, The Miles
Clonakilty, Ireland
Phone +353- 768888455
contact@construction3000.com

DELIVERY

Name:
Firm:
Address:

Town, Postal code:
Phone:

Qty	Model #	Price per unit	Total
Subtotal:			
Taxes:			
Total:			

Date:

Last name / First name :

Signature:

- Wire Payment to :
Account: Deschard Intl Ltd
BIC: CPAYIE2D
IBAN: IE31 CPAY 9911 9928 7821 68
Bank: Fire financial services

Or

By credit card on <https://www.construction3000.com>

- Terms of business on <https://www.construction3000.com>